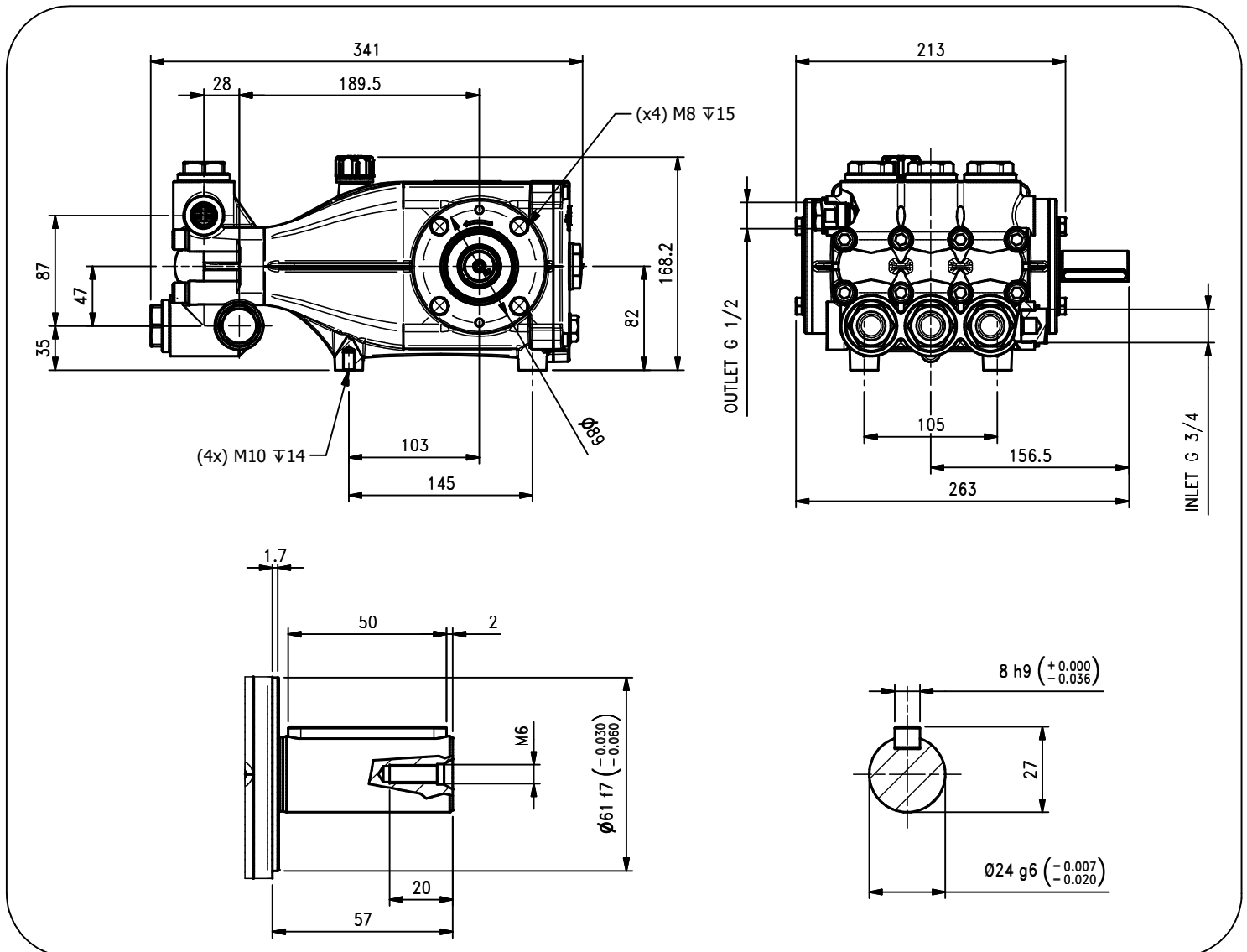


Pump Pompa	Pressure Pressione		Volume Portata				RPM giri/min		Power Potenza			
			l/min		GPM				HP		kW	
	bar	PSI	50 Hz	60 Hz	50 Hz	60 Hz	50 Hz	60 Hz	50 Hz	60 Hz	50 Hz	60 Hz
XLT3020IEXS	200	2900	30	36	7.9	9.5	1000	1200	15.6	18.7	11.5	13.8
XLT3816IEXS	160	2320	38	46	10	12	1000	1200	15.9	19.0	11.7	14.0
XLT1530IEEX	300	4350	15	18	3.96	4.75	1450	1740	11.5	13.8	8.5	10.2
XLT1830IEEX	300	4350	18	22	4.8	5.8	1450	1740	13.7	16.4	10.1	12.1
XLT2230IEEX	300	4350	22	26	5.8	7	1450	1740	16.6	19.9	12.2	14.6
XLT2520IEEX	200	2900	25	30	6.6	7.9	1450	1740	12.8	15.4	9.4	11.3
XLT2530IEEX	300	4350	25	30	6.6	7.9	1450	1740	19.2	23.0	14.1	16.2
XLT2730IEEX	300	4350	27	32	7.1	8.5	1450	1740	20.5	24.6	15.1	18.1
XLT3020IEEX	200	2900	30	36	7.9	9.5	1450	1740	15.5	18.6	11.4	13.7
XLT3025IEEX	250	3625	30	36	7.9	9.5	1450	1740	19.3	23.2	14.2	17.0
XLT3325IEEX	250	3625	33	40	8.7	10.4	1450	1740	21.4	25.7	15.7	18.8
XLT3517IEEX	170	2465	35	42	9.2	11	1450	1740	15.2	18.2	11.2	13.4
XLT4014IEEX	140	2030	40	48	10.6	12.7	1450	1740	14.0	16.8	10.3	12.4
XLT4017IEEX	170	2465	40	48	10.6	12.7	1450	1740	17.0	20.4	12.5	15.0
XLT4317IEEX	170	2465	43	52	11.4	13.7	1450	1740	19.1	22.9	14.1	16.9
XLT5015IEEX	150	2175	50	60	13.2	15.8	1450	1740	18.8	22.6	13.8	16.6
XLT5415IEEX	150	2175	54	65	14.3	17.2	1450	1740	21.2	25.4	15.6	18.7

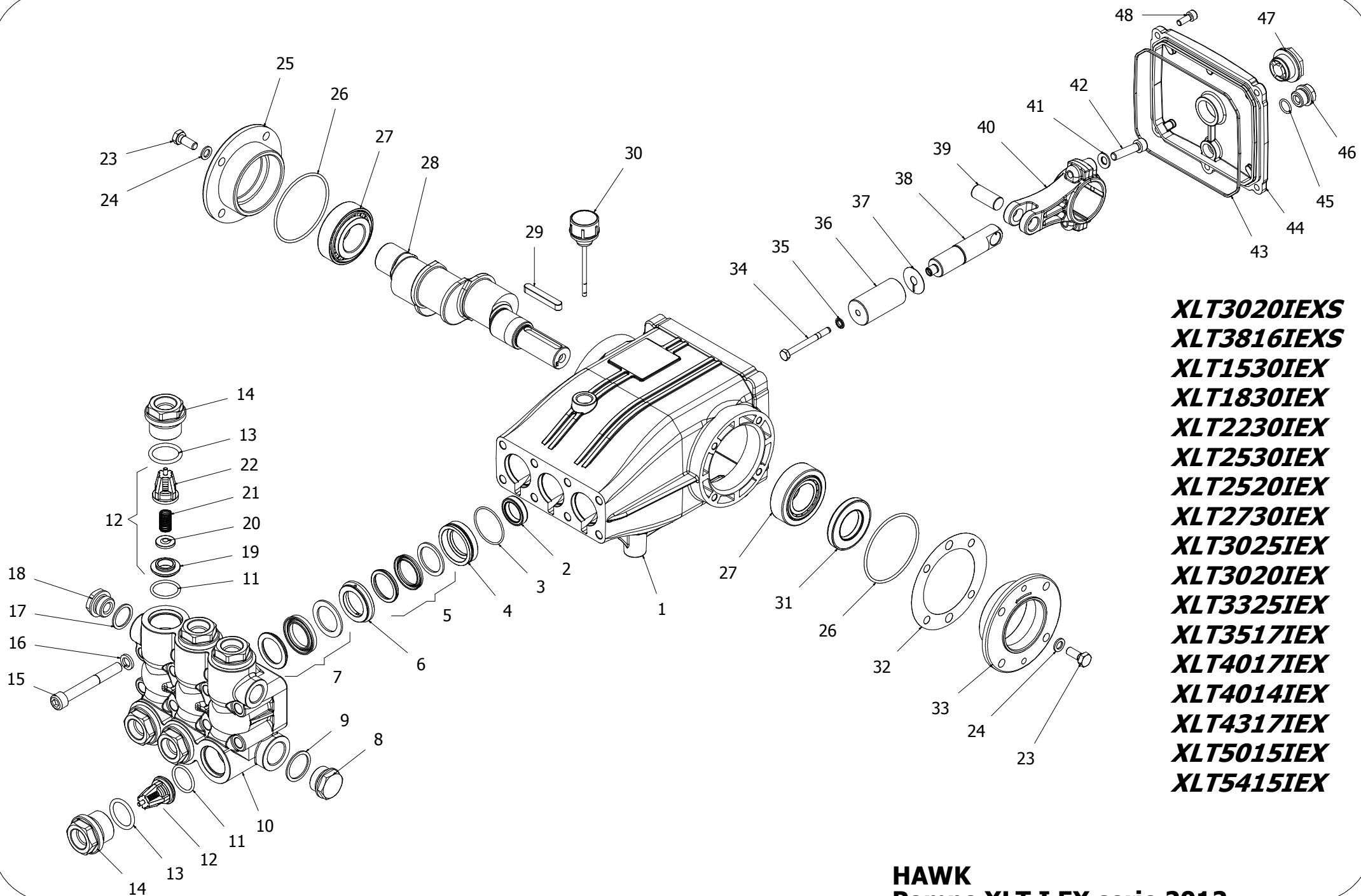
Dimensioni d'ingombro

Overall dimensions



Lubrificazione: Olio SAE 10W40
 Capacità: 1.2 Litri
 Peso pompa: 17.2 Kg

Lubrication: SAE 10W40 Oil
 Capacity: 1.2 Litres
 Weight: 17.2 Kg



XLT3020IEXS
XLT3816IEXS
XLT1530IEX
XLT1830IEX
XLT2230IEX
XLT2530IEX
XLT2520IEX
XLT2730IEX
XLT3025IEX
XLT3020IEX
XLT3325IEX
XLT3517IEX
XLT4017IEX
XLT4014IEX
XLT4317IEX
XLT5015IEX
XLT5415IEX

HAWK
Pompe XLT I EX serie 2012
XLT I EX pumps 2012 series

SPARE PARTS KIT

XLT I EX 2012

Item	Part Number & Description	Q.ty Pump	XLT3020IEXS	XLT3816IEXS	XLT1530IEX	XLT1830IEX	XLT2230IEX	XLT2530IEX	XLT2520IEX	XLT2730IEX	XLT3025IEX	XLT3020IEX	XLT3325IEX	XLT3517IEX	XLT4017IEX	XLT4014IEX	XLT4317IEX	XLT5015IEX	XLT5415IEX	
3x (3- 5- 7)	2601.26 Plunger Seals 20 mm	1			◆	◆	◆	◆	◆	◆										
	2601.25 Plunger Seals 22 mm	1									◆	◆	◆							
	2601.13 Plunger Seals 25 mm	1	◆											◆	◆	◆	◆			
	2601.15 Plunger Seals 28 mm	1		◆															◆	◆
3- 4- 5- 6- 7	2601.28 Complete seal Packing 20 mm	3			◆	◆	◆	◆	◆	◆										
	2601.27 Complete seal Packing 22 mm	3									◆	◆	◆							
	2601.14 Complete seal Packing 25 mm	3	◆											◆	◆	◆	◆			
	2601.16 Complete seal Packing 28 mm	3		◆															◆	◆
34- 35- 36- 37	2601.30 Plunger 20 mm	3			◆	◆	◆	◆	◆	◆										
	2601.29 Plunger 22 mm	3									◆	◆	◆							
	2601.17 Plunger 25 mm	3	◆											◆	◆	◆	◆			
	2601.18 Plunger 28 mm	3		◆															◆	◆
11- 12- 13	2600.10 Complete Valve	6	◆	◆										◆	◆	◆	◆	◆	◆	◆
	2601.31 Complete Valve	6			◆	◆	◆	◆	◆	◆	◆	◆	◆							
3x (2)	2600.03 Plunger oil Seal	1	◆	◆	◆	◆	◆	◆	◆	◆	◆	◆	◆	◆	◆	◆	◆	◆	◆	◆
3- 4- 5- 6- 7- 8 9- 10- 11- 12 13- 14- 15- 16 17- 18	2601.33 Complete Manifold 20 mm	1			◆	◆	◆	◆	◆	◆										
	2601.32 Complete Manifold 22 mm	1									◆	◆	◆							
	2601.19 Complete Manifold 25 mm	1	◆											◆	◆	◆	◆			
	2601.20 Complete Manifold 28 mm	1		◆															◆	◆
38- 39- 40- 41 42	3100.41 Connectin Rod-Plunger Rod Assy	3	◆	◆	◆	◆	◆	◆	◆	◆	◆	◆	◆	◆	◆	◆	◆	◆	◆	◆

PARTS LIST

XLT I EX 2012

Item	Part Number	Description	Q.ty/Pu mp	XLT3020IEXS	XLT3816IEXS	XLT1530IEX	XLT1830IEX	XLT2230IEX	XLT2530IEX	XLT2520IEX	XLT2730IEX	XLT3025IEX	XLT3020IEX	XLT3325IEX	XLT3517IEX	XLT4017IEX	XLT4014IEX	XLT4317IEX	XLT5015IEX	XLT5415IEX	
*1	0202.97	Crankcase	1																		
*2	0001.01	Plunger oil seal	3	◆	◆	◆	◆	◆	◆	◆	◆	◆	◆	◆	◆	◆	◆	◆	◆	◆	◆
*3	0601.08	"O" Ring Ø1.78x37.82	3																		
*4	1201.57	Pressure ring 20 mm	3			◆	◆	◆	◆	◆	◆										
	1201.59	Pressure ring 22 mm	3									◆	◆	◆							
	1201.58	Pressure ring 25 mm	3	◆											◆	◆	◆	◆	◆	◆	◆
	1201.56	Pressure ring 28 mm	3		◆															◆	◆
*5	0002.52	"U" seal, dia.20 mm	3			◆	◆	◆	◆	◆	◆										
	0002.53	"U" seal, dia.22 mm	3									◆	◆	◆							
	0002.57	"U" seal, dia.25 mm	3	◆											◆	◆	◆	◆	◆	◆	◆
	0002.69	"U" seal, dia.28 mm	3		◆															◆	◆
*6	0300.76	Intermed. ring 20mm	3			◆	◆	◆	◆	◆	◆										
	0300.78	Intermed. ring 22mm	3									◆	◆	◆							
	0300.77	Intermed. ring 25mm	3	◆											◆	◆	◆	◆	◆	◆	◆
	0300.75	Intermed. ring 28mm	3		◆															◆	◆
*7	0002.61	"U" seal, dia.20 mm	3			◆	◆	◆	◆	◆	◆										
	0002.62	"U" seal, dia.22 mm	3									◆	◆	◆							
	0002.72	"U" seal, dia.25 mm	3	◆											◆	◆	◆	◆	◆	◆	◆
	0002.65	"U" seal, dia.28 mm	3		◆															◆	◆
*8	1601.33	Brass plug G3/4	1	◆	◆	◆	◆	◆	◆	◆	◆	◆	◆	◆	◆	◆	◆	◆	◆	◆	◆
*9	0603.11	Copper washer 3/4	1																		
*10	1602.39	Manifold housing Ø28/Ø25	1	◆	◆											◆	◆	◆	◆	◆	◆
	1602.40	Manifold housing Ø22/Ø20	1			◆	◆	◆	◆	◆	◆	◆	◆	◆							
*11	0601.66	"O" Ring Ø2.62x25.7	6	◆	◆											◆	◆	◆	◆	◆	◆
	0605.06	"O" Ring Ø2,62x21,89	6			◆	◆	◆	◆	◆	◆	◆	◆	◆							
*12	3604.50	Valve assembly	6	◆	◆											◆	◆	◆	◆	◆	◆
	3604.76	Valve assembly	6			◆	◆	◆	◆	◆	◆	◆	◆	◆							
*13	0601.67	"O" Ring Ø3.53x26.58	6	◆	◆											◆	◆	◆	◆	◆	◆
	0601.87	"O" Ring Ø3,53x25,80-134	6			◆	◆	◆	◆	◆	◆	◆	◆	◆							
*14	1601.31	Valve plug	6	◆	◆											◆	◆	◆	◆	◆	◆
	1601.74	Valve plug	6			◆	◆	◆	◆	◆	◆	◆	◆	◆							
*15	1801.40	Manifold stud bolt	8																		
*16	1403.01	Lock-Washer	8	◆	◆	◆	◆	◆	◆	◆	◆	◆	◆	◆	◆	◆	◆	◆	◆	◆	◆
*17	0603.07	Copper washer 1/2	1																		
*18	1601.20	Brass plug 1/2	1																		
19	1503.19	Valve seat	6	◆	◆											◆	◆	◆	◆	◆	◆
	1503.40	Valve seat	6			◆	◆	◆	◆	◆	◆	◆	◆	◆							
20	1202.08	Valve plate	6																		
21	0900.32	Valve spring	6																		
22	0604.06	Valve cage	6																		
23	1802.05	Hexagonal screw	8	◆	◆	◆	◆	◆	◆	◆	◆	◆	◆	◆	◆	◆	◆	◆	◆	◆	◆
24	1400.01	Washer	8																		
25	0500.54	Closed bearing housing	1																		
26	0601.00	"O" Ring Ø2.62x71.12	2																		
27	0200.04	Roller bearing	2																		
28	0006.39	Crankshaft Ø24	1				◆														
	0006.37	Crankshaft Ø24	1					◆								◆					
	0006.38	Crankshaft Ø24	1						◆	◆		◆	◆			◆	◆		◆	◆	
	0006.36	Crankshaft Ø24	1	◆	◆							◆	◆						◆	◆	◆
	0006.83	Crankshaft Ø24	1			◆														◆	◆

PARTS LIST

XLT I EX 2012

Item	Part Number	Description	Q.ty/Pu mp	XLT3020IEXS	XLT3816IEXS	XLT1530IEX	XLT1830IEX	XLT2230IEX	XLT2530IEX	XLT2520IEX	XLT2730IEX	XLT3025IEX	XLT3020IEX	XLT3325IEX	XLT3517IEX	XLT4017IEX	XLT4014IEX	XLT4317IEX	XLT5015IEX	XLT5415IEX	
29	0206.05	Crankshaft key	1																		
30	1600.16	Oil dip stick	1																		
31	0001.00	Crankshaft seal	1																		
32	0301.00	Shim	1																		
33	0500.19	Bearing housing (pump right vers.)	1	◆	◆	◆	◆	◆	◆	◆	◆	◆	◆	◆	◆	◆	◆	◆	◆	◆	◆
	0500.21	Bearing housing (pump left vers.)																			
*34	1802.23	Plunger bolt	3																		
*35	1400.10	Copper spacer	3																		
*36	1200.32	Plunger 20 mm	3			◆	◆	◆	◆	◆											
	1200.34	Plunger 22 mm	3								◆	◆	◆								
	1200.33	Plunger 25 mm	3	◆											◆	◆	◆	◆			
	1200.30	Plunger 28 mm	3		◆															◆	◆
*37	1400.57	Copper spacer	3																		
*38	0003.32	Plunger rod	3																		
*39	1502.07	Connecting rod pin	3																		
*40	0100.10	Connecting rod	3																		
*41	1401.03	Spring washer	6																		
42	1801.01	Connecting rod screw	6																		
43	0601.85	"O" Ring Ø2,62x152,07	1	◆	◆	◆	◆	◆	◆	◆	◆	◆	◆	◆	◆	◆	◆	◆	◆	◆	◆
44	0203.63	Crankcase cover	1																		
45	0601.14	"O" Ring Ø1,78x14,00	1																		
46	1601.17	Brass plug 3/8	1																		
47	0700.05	Sight glass, G3/4	1																		
48	1801.41	Cover screw	5																		

Part available in kit only
 * Part available in kit also

Posizioni	Codice e Descrizione	Q.tà Pompa	XLT3020IEXS	XLT3816IEXS	XLT1530IEX	XLT1830IEX	XLT2230IEX	XLT2530IEX	XLT2520IEX	XLT2730IEX	XLT3025IEX	XLT3020IEX	XLT3325IEX	XLT3517IEX	XLT4017IEX	XLT4014IEX	XLT4317IEX	XLT5015IEX	XLT5415IEX
3x (3- 5- 7)	2601.26 <i>Guarnizioni pistone Ø20</i>	1			◆	◆	◆	◆	◆	◆									
	2601.25 <i>Guarnizioni pistone Ø22</i>	1									◆	◆	◆						
	2601.13 <i>Guarnizioni pistone Ø25</i>	1	◆											◆	◆	◆	◆		
	2601.15 <i>Guarnizioni pistone Ø28</i>	1		◆														◆	◆
3- 4- 5- 6- 7	2601.28 <i>Pacco completo Guarnizioni pistone Ø20</i>	3			◆	◆	◆	◆	◆	◆									
	2601.27 <i>Pacco completo Guarnizioni pistone Ø22</i>	3									◆	◆	◆						
	2601.14 <i>Pacco completo Guarnizioni pistone Ø25</i>	3	◆											◆	◆	◆	◆		
	2601.16 <i>Pacco completo Guarnizioni pistone Ø28</i>	3		◆														◆	◆
34- 35- 36- 37	2601.30 <i>Pistone Ø20</i>	3			◆	◆	◆	◆	◆	◆									
	2601.29 <i>Pistone Ø22</i>	3									◆	◆	◆						
	2601.17 <i>Pistone Ø25</i>	3	◆											◆	◆	◆	◆		
	2601.18 <i>Pistone Ø28</i>	3		◆														◆	◆
11- 12- 13	2600.10 <i>Valvola completa</i>	6	◆	◆										◆	◆	◆	◆	◆	◆
	2601.31 <i>Valvola completa</i>	6			◆	◆	◆	◆	◆	◆	◆	◆	◆						
3x (2)	2600.03 <i>Anelli tenuta olio Asta</i>	1	◆	◆	◆	◆	◆	◆	◆	◆	◆	◆	◆	◆	◆	◆	◆	◆	◆
3- 4- 5- 6- 7- 8 9- 10- 11- 12 13- 14- 15- 16 17- 18	2601.33 <i>Testata Completa Ø20</i>	1			◆	◆	◆	◆	◆	◆									
	2601.32 <i>Testata Completa Ø22</i>	1									◆	◆	◆						
	2601.19 <i>Testata Completa Ø25</i>	1	◆											◆	◆	◆	◆		
	2601.20 <i>Testata Completa Ø28</i>	1		◆														◆	◆
38- 39- 40- 41 42	3100.41 <i>Premontato asta-biella</i>	3	◆	◆	◆	◆	◆	◆	◆	◆	◆	◆	◆	◆	◆	◆	◆	◆	◆

Pos.	Codice	Descrizione	Q.tà/Po mpa	XLT3020IEXS	XLT3816IEXS	XLT1530IEX	XLT1830IEX	XLT2230IEX	XLT2530IEX	XLT2520IEX	XLT2730IEX	XLT3025IEX	XLT3020IEX	XLT3325IEX	XLT3517IEX	XLT4017IEX	XLT4014IEX	XLT4317IEX	XLT5015IEX	XLT5415IEX	
*1	0202.97	Carter	1																		
*2	0001.01	Anello radiale	3	◆	◆	◆	◆	◆	◆	◆	◆	◆	◆	◆	◆	◆	◆	◆	◆	◆	◆
*3	0601.08	"O" Ring Ø1.78x37.82	3																		
*4	1201.57	Pressore Ø20	3			◆	◆	◆	◆	◆	◆										
	1201.59	Pressore Ø22	3									◆	◆	◆							
	1201.58	Pressore Ø25	3	◆											◆	◆	◆	◆			
	1201.56	Pressore Ø28	3		◆															◆	◆
*5	0002.52	Anello tenuta "U" Ø20	3			◆	◆	◆	◆	◆	◆										
	0002.53	Anello tenuta "U" Ø22	3									◆	◆	◆							
	0002.57	Anello tenuta "U" Ø25	3	◆											◆	◆	◆	◆			
	0002.69	Anello tenuta "U" Ø28	3		◆															◆	◆
*6	0300.76	Diffusore interm. Ø20	3			◆	◆	◆	◆	◆	◆										
	0300.78	Diffusore interm. Ø22	3									◆	◆	◆							
	0300.77	Diffusore interm. Ø25	3	◆											◆	◆	◆	◆			
	0300.75	Diffusore interm. Ø28	3		◆															◆	◆
*7	0002.61	Anello tenuta "U" Ø25	3			◆	◆	◆	◆	◆	◆										
	0002.62	Anello tenuta "U" Ø25	3									◆	◆	◆							
	0002.72	Anello tenuta "U" Ø25	3	◆											◆	◆	◆	◆			
	0002.65	Anello tenuta "U" Ø28	3		◆															◆	◆
*8	1601.33	Tappo G3/4	1	◆	◆	◆	◆	◆	◆	◆	◆	◆	◆	◆	◆	◆	◆	◆	◆	◆	◆
*9	0603.11	Guarnizione rame G3/4	1																		
*10	1602.39	Testata Ø28/Ø25	1	◆	◆										◆	◆	◆	◆	◆	◆	◆
	1602.40	Testata Ø22/Ø20	1			◆	◆	◆	◆	◆	◆	◆	◆	◆							
*11	0601.66	"O" Ring Ø2,62x25,07	6	◆	◆										◆	◆	◆	◆	◆	◆	◆
	0605.06	"O" Ring Ø2,62x21,89	6			◆	◆	◆	◆	◆	◆	◆	◆	◆							
*12	3604.50	Valvola premontata	6	◆	◆										◆	◆	◆	◆	◆	◆	◆
	3604.76	Valvola premontata	6			◆	◆	◆	◆	◆	◆	◆	◆	◆							
*13	0601.67	"O" Ring Ø3.53x26.58	6	◆	◆										◆	◆	◆	◆	◆	◆	◆
	0601.87	"O" Ring Ø3,53x25,80	6			◆	◆	◆	◆	◆	◆	◆	◆	◆							
*14	1601.31	Tappo valvola	6	◆	◆										◆	◆	◆	◆	◆	◆	◆
	1601.74	Tappo valvola	6			◆	◆	◆	◆	◆	◆	◆	◆	◆							
*15	1801.40	Vite M10x80	8																		
*16	1403.01	Rosetta elastica Ø10,2	8	◆	◆	◆	◆	◆	◆	◆	◆	◆	◆	◆	◆	◆	◆	◆	◆	◆	◆
*17	0603.07	Guarnizione rame G1/2	1																		
*18	1601.20	Tappo G1/2	1																		
19	1503.19	Sede valvola	6	◆	◆										◆	◆	◆	◆	◆	◆	◆
	1503.40	Sede valvola	6			◆	◆	◆	◆	◆	◆	◆	◆	◆							
20	1202.08	Piattello valvola	6																		
21	0900.32	Molla valvola	6																		
22	0604.06	Gabbia valvola	6																		
23	1802.05	Vite M8x20	8	◆	◆	◆	◆	◆	◆	◆	◆	◆	◆	◆	◆	◆	◆	◆	◆	◆	◆
24	1400.01	Rosetta Ø8.5	8																		
25	0500.54	Flangia chiusa	1																		
26	0601.00	"O" Ring Ø2.62x71.12	2									◆	◆	◆	◆	◆	◆	◆	◆	◆	◆
27	0200.04	Cuscinetto a rulli	2																		
28	0006.39	Albero eccentrico Ø24	1				◆														
	0006.37	Albero eccentrico Ø24	1					◆							◆						
	0006.38	Albero eccentrico Ø24	1						◆	◆	◆	◆	◆	◆		◆	◆	◆	◆	◆	◆
	0006.36	Albero eccentrico Ø24	1	◆	◆							◆	◆	◆					◆	◆	◆
	0006.83	Albero eccentrico Ø24	1			◆														◆	◆

Pos.	Codice	Descrizione	Q.tà/Po mpa	XLT3020IEXS	XLT3816IEXS	XLT1530IEX	XLT1830IEX	XLT2230IEX	XLT2530IEX	XLT2520IEX	XLT2730IEX	XLT3025IEX	XLT3020IEX	XLT3325IEX	XLT3517IEX	XLT4017IEX	XLT4014IEX	XLT4317IEX	XLT5015IEX	XLT5415IEX	
29	0206.05	Chiavetta	1																		
30	1600.16	Tappo livello olio	1																		
31	0001.00	Anello radiale	1																		
32	0301.00	Distanziale	1																		
33	0500.19	Flangia aperta (vers. pompa destra)	1	◆	◆	◆	◆	◆	◆	◆	◆	◆	◆	◆	◆	◆	◆	◆	◆	◆	◆
	0500.21	Flangia aperta (vers. pompa sinistra)																			
*34	1802.23	Vite pistone	3																		
*35	1400.10	Rosetta rame	3																		
*36	1200.32	Pistone Ø20	3			◆	◆	◆	◆	◆	◆										
	1200.34	Pistone Ø25	3									◆	◆	◆							
	1200.33	Pistone Ø25	3	◆											◆	◆	◆	◆			
	1200.30	Pistone Ø28	3		◆															◆	◆
*37	1400.57	Rosetta rame	3																		
*38	0003.32	Asta pistone	3																		
*39	1502.07	Spinotto	3																		
*40	0100.10	Biella completa	3																		
*41	1401.03	Rosetta elastica Ø8	6																		
42	1801.01	Vite M8x35	6																		
43	0601.85	"O" Ring Ø2,62x152,07	1	◆	◆	◆	◆	◆	◆	◆	◆	◆	◆	◆	◆	◆	◆	◆	◆	◆	◆
44	0203.63	Coperchio	1																		
45	0601.14	"O" Ring Ø1,78x14,00	1																		
46	1601.17	Tappo G3/8	1																		
47	0700.05	Spia livello olio G3/4	1																		
48	1801.41	Vite M6x20	5																		

Particolare disponibile
solo in kit

* Particolare disponibile
anche in kit