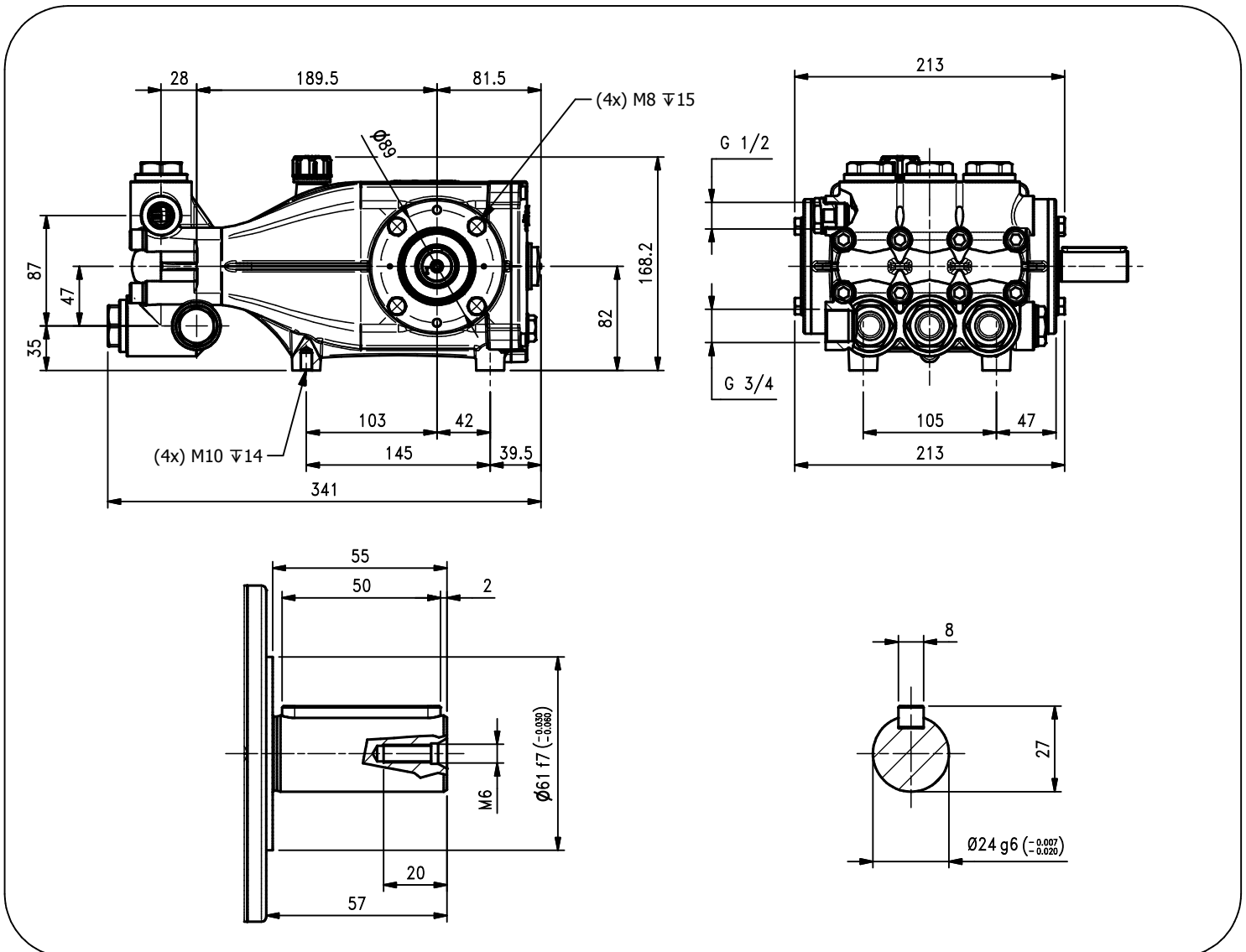
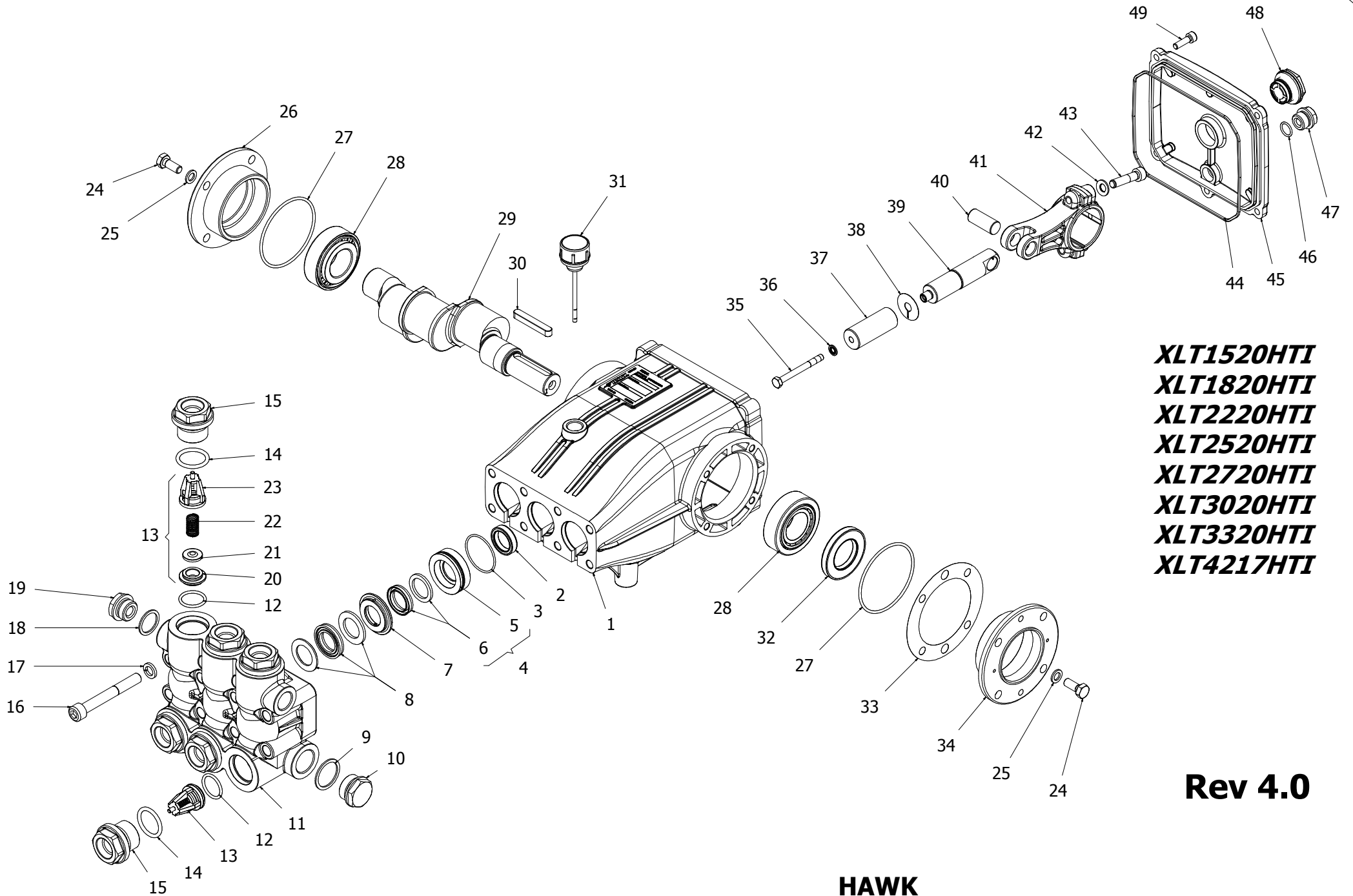


Pump Pompa	Pressure Pressione		Volume Portata				RPM giri/min		Power Potenza			
			l/min		GPM				HP		kW	
	bar	PSI	50 Hz	60 Hz	50 Hz	60 Hz	50 Hz	60 Hz	50 Hz	60 Hz	50 Hz	60 Hz
XLT1520HTI	200	2900	15	18	4.0	4.7	1450	1740	7.9	9.4	5.8	6.9
XLT1820HTI	200	2900	18	22	4.8	5.8	1450	1740	9.4	11.3	6.9	8.3
XLT2220HTI	200	2900	22	26	5.8	7.0	1450	1740	11.6	13.9	8.5	10.2
XLT2520HTI	200	2900	25	30	6.6	7.9	1450	1740	13.1	15.7	9.6	11.5
XLT2720HTI	200	2900	27	31	7.1	8.6	1450	1740	13.7	16.4	10.1	12.1
XLT3020HTI	200	2900	30	36	7.9	9.5	1450	1740	15.3	18.4	11.3	13.6
XLT3320HTI	200	2900	33	40	8.7	10.4	1450	1740	16.9	20.3	12.5	15.0
XLT4217HTI	170	2465	42	50	11.2	13.4	1450	1740	18.5	22.2	13.6	16.3

Dimensioni d'ingombro

Overall dimensions





XLT1520HTI
XLT1820HTI
XLT2220HTI
XLT2520HTI
XLT2720HTI
XLT3020HTI
XLT3320HTI
XLT4217HTI

Rev 4.0

HAWK
Pompe XLT HT I serie 2015
XLT HT I pumps 2015 series

SPARE PARTS KIT

XLT HT I 2015

Item	Part Number & Description	Q.ty Pump	XLT1520HTI	XLT1820HTI	XLT2220HTI	XLT2520HTI	XLT2720HTI	XLT3020HTI	XLT3320HTI	XLT4217HTI
3x (3- 4- 8)	2602.53 Plunger Seals HT 20 mm	1	◆	◆	◆	◆				
	2601.37 Plunger Seals HT 22 mm	1					◆	◆	◆	◆
3- 4- 7- 8	2602.54 Complete seal Packing HT 20 mm	3	◆	◆	◆	◆				
	2601.36 Complete seal Packing HT 22 mm	3					◆	◆	◆	◆
35- 36- 37- 38	2601.30 Plunger 20 mm	3	◆	◆	◆	◆				
	2601.29 Plunger 22 mm	3					◆	◆	◆	◆
12- 13- 14	2601.31 Complete Valve	6	◆	◆	◆	◆	◆	◆	◆	◆
3x (2)	2600.03 Plunger oil Seal	1	◆	◆	◆	◆	◆	◆	◆	◆
3- 4- 7- 8- 9 10- 11- 12- 13 14- 15- 18- 19	2602.55 Complete Manifold HT 20 mm	1	◆	◆	◆	◆				
	2601.11 Complete Manifold HT 22 mm	1					◆	◆	◆	◆
39- 40- 41- 42 43	3100.43 Connectin Rod-Plunger Rod Assy	3	◆	◆	◆	◆	◆	◆	◆	◆

PARTS LIST

Item	Part Number	Description	Q.ty/Pu mp	XLT1520HTI	XLT1820HTI	XLT2220HTI	XLT2520HTI	XLT2720HTI	XLT3020HTI	XLT3320HTI	XLT4217HTI
1	0202.97	Crankcase	1								
*2	0001.01	Plunger oil seal	3	◆	◆	◆	◆	◆	◆	◆	◆
*3	0601.08	"O" Ring Ø1.78x37.82	3								
*4	3604.78	Low pressure seal assembly dia. 20 mm	3	◆	◆	◆	◆				
	3604.89	Low pressure seal assembly dia. 22 mm	3					◆	◆	◆	◆
5	1201.57	Pressure ring 20 mm	3	◆	◆	◆	◆				
	1201.72	Pressure ring 22 mm	3					◆	◆	◆	◆
6	0002.71	"U" seal, dia.20 mm	3	◆	◆	◆	◆				
	0002.80	"U" seal, dia.22 mm	3					◆	◆	◆	◆
*7	0300.76	Intermed. ring 20 mm	3	◆	◆	◆	◆				
	0300.92	Intermed. ring 22 mm	3					◆	◆	◆	◆
*8	0002.99	"U" seal, dia.20 mm	3	◆	◆	◆	◆				
	0002.79	"U" seal, dia.22 mm	3					◆	◆	◆	◆
*9	0603.11	Copper washer 3/4	1								
*10	1601.78	Brass plug G3/4	1								
*11	1602.50	Manifold housing Ø22/Ø20	1								
*12	0605.06	"O" Ring Ø2,62x21,89	6								
*13	3604.76	Valve assembly	6	◆	◆	◆	◆	◆	◆	◆	◆
*14	0601.87	"O" Ring Ø3,53x25,80-134	6								
*15	1601.77	Valve plug	6								
16	1801.40	Manifold stud bolt	8								
17	1403.01	Lock-Washer	8								

PARTS LIST

XLT HT I 2015

Item	Part Number	Description	Q.ty/Pu mp	XLT1520HTI	XLT1820HTI	XLT2220HTI	XLT2520HTI	XLT2720HTI	XLT3020HTI	XLT3320HTI	XLT4217HTI
*18	0603.07	Copper washer 1/2	1								
*19	1601.51	Brass plug 1/2	1								
20	1503.40	Valve seat	6								
21	1202.08	Valve plate	6								
22	0900.32	Valve spring	6								
23	0604.06	Valve cage	6	◆	◆	◆	◆	◆	◆	◆	◆
24	1802.05	Hexagonal screw	8								
25	1400.01	Washer	8								
26	0500.54	Closed bearing housing	1								
27	0601.00	"O" Ring Ø2.62x71.12	2								
28	0200.04	Roller bearing	2								
29	0006.36	Crankshaft Ø24	1							◆	
	0006.37	Crankshaft Ø24	1			◆		◆			
	0006.38	Crankshaft Ø24	1				◆		◆		
	0006.39	Crankshaft Ø24	1		◆						
	0006.47	Crankshaft Ø24	1								◆
	0006.83	Crankshaft Ø24	1	◆							
30	0206.05	Crankshaft key	1								
31	1600.16	Oil dip stick	1								
32	0001.00	Cranckshaft seal	1								
33	0301.00	Shim	1								
34	0500.38	Bearing housing	1								
*35	1802.23	Plunger bolt	3								
*36	1400.10	Copper spacer	3								
*37	1200.34	Plunger 22 mm	3								
*38	1400.57	Copper spacer	3								
*39	0003.32	Plunger rod	3	◆	◆	◆	◆	◆	◆	◆	◆
*40	1502.07	Connecting rod pin	3								
*41	0100.10	Connecting rod	3								
*42	1401.03	Spring washer	6								
43	1801.01	Connecting rod screw	6								
44	0601.85	"O" Ring Ø2,62x152,07	1								
45	0203.63	Crankcase cover	1								
46	0601.14	"O" Ring Ø1,78x14,00	1								
47	1601.17	Brass plug 3/8	1								
48	0700.05	Sight glass, G3/4	1								
49	1801.41	Cover screw	5								

Part available
in kit only

* Part available
in kit also

Posizioni	Codice e Descrizione	Q.tà Pompa	XLT1520HTI	XLT1820HTI	XLT2220HTI	XLT2520HTI	XLT2720HTI	XLT3020HTI	XLT3320HTI	XLT4217HTI
3x (3- 4- 8)	2602.53 Guarnizioni pistone HT Ø20	1	◆	◆	◆	◆				
	2601.37 Guarnizioni pistone HT Ø22	1					◆	◆	◆	◆
3- 4- 7- 8	2602.54 Pacco completo Guarnizioni HT pistone Ø20	3	◆	◆	◆	◆				
	2601.36 Pacco completo Guarnizioni HT pistone Ø22	3					◆	◆	◆	◆
35- 36- 37- 38	2601.30 Pistone Ø20	3	◆	◆	◆	◆				
	2601.29 Pistone Ø22	3					◆	◆	◆	◆
12- 13- 14	2601.31 Valvola completa	6	◆	◆	◆	◆	◆	◆	◆	◆
3x (2)	2600.03 Anelli tenuta olio Asta	1	◆	◆	◆	◆	◆	◆	◆	◆
3- 4- 7- 8- 9 10- 11- 12- 13 14- 15- 18- 19	2602.55 Testata Completa HT Ø20	1	◆	◆	◆	◆				
	2601.11 Testata Completa HT Ø22	1					◆	◆	◆	◆
39- 40- 41- 42 43	3100.43 Premontato asta-biella	3	◆	◆	◆	◆	◆	◆	◆	◆

LISTA PARTI

Pos.	Codice	Descrizione	Q.tà/Po mpa	XLT1520HTI	XLT1820HTI	XLT2220HTI	XLT2520HTI	XLT2720HTI	XLT3020HTI	XLT3320HTI	XLT4217HTI
1	0202.97	Carter	1								
*2	0001.01	Anello radiale	3	◆	◆	◆	◆	◆	◆	◆	◆
*3	0601.08	"O" Ring Ø1.78x37.82	3								
*4	3604.78	Premontato tenuta bassa pressione Ø20	3	◆	◆	◆	◆				
	3604.89	Premontato tenuta bassa pressione Ø22	3					◆	◆	◆	◆
5	1201.57	Pressore Ø20	3	◆	◆	◆	◆				
	1201.72	Pressore Ø22	3					◆	◆	◆	◆
6	0002.71	Anello tenuta "U" Ø20	3	◆	◆	◆	◆				
	0002.80	Anello tenuta "U" Ø22	3					◆	◆	◆	◆
*7	0300.76	Diffusore interm. Ø20	3	◆	◆	◆	◆				
	0300.92	Diffusore interm. Ø22	3					◆	◆	◆	◆
*8	0002.99	Anello tenuta "U" Ø20	3	◆	◆	◆	◆				
	0002.79	Anello tenuta "U" Ø22	3					◆	◆	◆	◆
*9	0603.11	Guarnizione rame G3/4	1								
*10	1601.78	Tappo G3/4 nichelato	1								
*11	1602.50	Testata nichelata Ø22/Ø20	1								
*12	0605.06	"O" Ring Ø2,62x21,89	6								
*13	3604.76	Valvola premontata	6	◆	◆	◆	◆	◆	◆	◆	◆
*14	0601.87	"O" Ring Ø3,53x25,80	6								
*15	1601.77	Tappo valvola nichelato	6								
16	1801.40	Vite M10x80	8								
17	1403.01	Rosetta elastica Ø10,2	8								

XLT HT I 2015

LISTA PARTI

Pos.	Codice	Descrizione	Q.tà/Po mpa	XL T1520HTI	XL T1820HTI	XL T2220HTI	XL T2520HTI	XL T2720HTI	XL T3020HTI	XL T3320HTI	XL T4217HTI
*18	0603.07	Guarnizione rame G1/2	1								
*19	1601.51	Tappo G1/2 nichelato	1								
20	1503.40	Sede valvola	6								
21	1202.08	Piattello valvola	6								
22	0900.32	Molla valvola	6								
23	0604.06	Gabbia valvola	6	◆	◆	◆	◆	◆	◆	◆	◆
24	1802.05	Vite M8x20	8								
25	1400.01	Rosetta Ø8.5	8								
26	0500.54	Flangia chiusa	1								
27	0601.00	"O" Ring Ø2.62x71.12	2								
28	0200.04	Cuscinetto a rulli	2								
29	0006.36	Albero eccentrico Ø24	1							◆	
	0006.37	Albero eccentrico Ø24	1			◆		◆			
	0006.38	Albero eccentrico Ø24	1				◆		◆		
	0006.39	Albero eccentrico Ø24	1		◆						
	0006.47	Albero eccentrico Ø24	1								◆
	0006.83	Albero eccentrico Ø24	1	◆							
30	0206.05	Chiavetta	1								
31	1600.16	Tappo livello olio	1								
32	0001.00	Anello radiale	1								
33	0301.00	Distanziale	1								
34	0500.38	Flangia aperta	1								
*35	1802.23	Vite pistone	3								
*36	1400.10	Rosetta rame	3								
*37	1200.34	Pistone Ø25	3								
*38	1400.57	Rosetta rame	3								
*39	0003.32	Asta pistone	3								
*40	1502.07	Spinotto	3	◆	◆	◆	◆	◆	◆	◆	◆
*41	0100.10	Biella completa	3								
*42	1401.03	Rosetta elastica Ø8	6								
*43	1801.01	Vite M8x35	6								
44	0601.85	"O" Ring Ø2,62x152,07	1								
45	0203.63	Coperchio	1								
46	0601.14	"O" Ring Ø1,78x14,00	1								
47	1601.17	Tappo G3/8	1								
48	0700.05	Spia livello olio G3/4	1								
49	1801.41	Vite M6x20	5								

Particolare disponibile solo in kit

*** Particolare disponibile anche in kit**